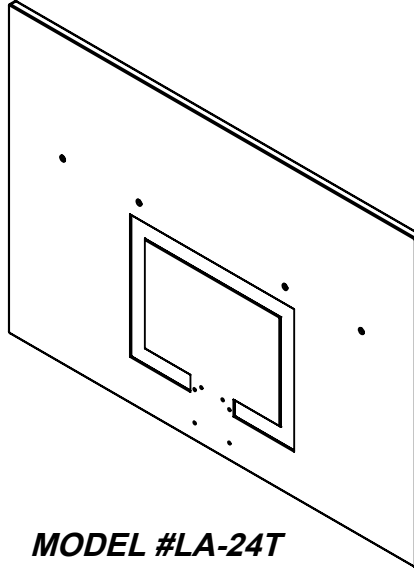


# BASKETBALL BACKBOARD

**MODEL #LA-24T** HEAVY DUTY 1" SOLID WHITE POLYETHYLENE RECTANGLE (90lbs) WITH SOLID POLY TARGET



**MODEL #LA-24T**

(Std. mounting hole pattern on the board)

For the installation of backboard to an LA Steelcraft post **ONLY**. For other manufacturer's posts and backboards, consult installation instructions provided by that manufacturer.

**SPECIFICATIONS:**

**GENERAL:** This heavy-duty backboard is designed for outdoor use.

**MATERIALS:** \*Poly Rectangle: The Model LA-24T is made of 1" thick, white, high-density, UV stabilized polyethylene. A 2" x 2" x 48" angle stiffener is provided for the back of the board with welded attachment angles for the diagonal brace installation and is powder coated white after fabrication.

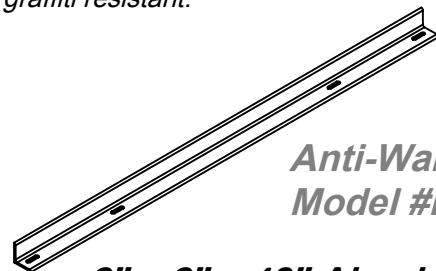
**Caution: Flat washers must be used behind the plate when mounting the backboard.**

**WARRANTY PERIOD:** Limited Lifetime Warranty.

\*This backboard has been redesigned with a 6-hole pattern to allow changing the goals without removing the backboard.  
**NOTE:** These two holes are used for attaching the backboard to the mounting plate and are only used to aid in installation. Always use the goal ring holes to secure the backboard to the mounting plate.

\*Shooters square machined into the face of board to provide a permanent target. This board is an incredibly durable Polyethylene Plastic that withstands extreme weather conditions. Won't rot, warp, or decay from moisture or ultraviolet rays and is virtually indestructible and graffiti resistant.

<b>STANDARD HARDWARE KIT FOR USE ON ALL BACKBOARD INSTALLATIONS</b>	<b>Qty</b>
3/8-16 x 3-1/2" GR5 Fully Threaded Hex Bolt Zinc	4
3/8-16 x 1" GR5 C/S Zinc Hex Bolt (Cap Screw)	2
3/8-16 x 2" Flat Head Socket Cap Screw 18.8 SS	7
3/8" USS Flat Washer Zinc	15
3/8-16 Insert Nylock Zinc (2500)	11



**Anti-Warp for Model #LA-24T**

**2" x 2" x 48" Aluminum Anti-Warp Angle**

	Date: 4/8/15	<b>SPECIFICATION / INSTALLATION INSTRUCTIONS</b> POLYETHYLENE RECTANGLE BASKETBALL BACKBOARD
	Rev: 12/10/22	
	Drawn: MT	MODEL NO.
	Sheet: 1 of 3	<b>LA-24T</b>

# BASKETBALL BACKBOARD

Determine the mode of backboard ordered.

The Model #LA-24T backboard is equipped with a 6-hole mounting pattern. This board requires the use of the two countersunk holes on the face of the board.

**NOTE:** These two holes are used for attaching the backboard to the mounting plate and are only used to aid in installation.

Always use the goal ring holes to secure the backboard to the mounting plate.

1. Align holes with mounting plate and attach with 3/8" x 2" Flat Head Bolts.

**NOTE:** The bolt will seat in the counterbore hole on the face of the backboard.

2. Secure with 3/8" flat washers and nuts.

3. Align the goal ring with the other four holes on the mounting plate and secure with hardware provided.

4. Adjust backboard to square and tighten all bolts.

**NOTE:** The Rim and Backboard are to be mounted securely to the sleeve adapter (GNP).

Attach the sleeve to the Post and secure with set screws and drive pin.

5. Align the Rim with the holes on the Backboard and mounting plate and attach with 3/8" x 3-1/2" Hex Head bolts, Flat Washers and Nylock Nuts.

6. Attach the Assembled Rim/Backboard/Sleeve to the Gooseneck Post.

7. For **Adjustable Offset Goals**, attach the Rim and Backboard with the requested hardware to the adjustable offset. Use the other half clamp and attach the assembly to the bottom of the post. When all the hardware is snug, slide the assembly up the post to the desired height.

This backboard is equipped with countersunk holes for the diagonal brace and angle iron stiffener installation.

**CAUTION: Flat washers must be used behind the plate when mounting the backboard.**

Model LA-24T:


1. Attach 2" x 2" x 48" angle stiffner (with welded attachment angles) to the backboard with 3/8" x 2" Flat Head Bolts and Washers.

2. Attach diagonal braces to the angle stiffener with Flat Head Bolts and Flat Washers provided.

Diagonal Brace Installation:

Diagonal brace installation varies depending on which upright post is ordered.

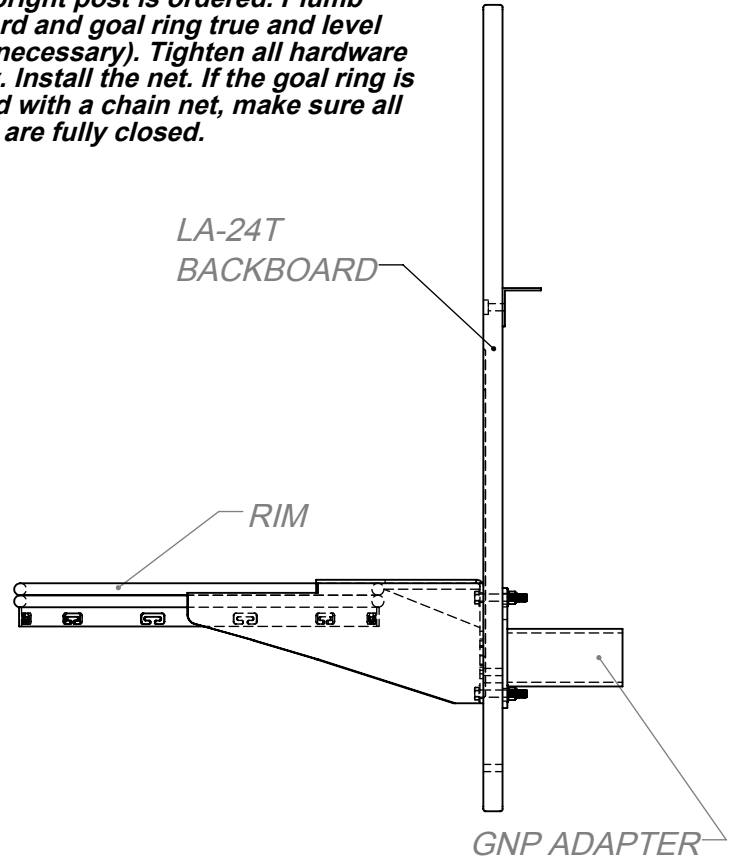
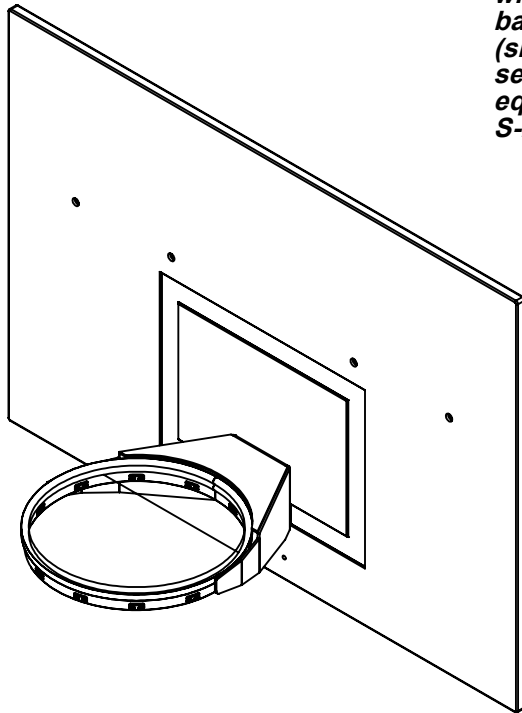
Plumb backboard and goal ring true and level (shim if necessary). Tighten all hardware securely. Install the net. If the goal ring is equipped with a chain net, make sure all S-hooks are fully closed.

 <p>www.LASTEELCRAFT.com 1-800-371-2438</p>	Date: 4/8/15	<b>SPECIFICATION / INSTALLATION INSTRUCTIONS</b> POLYETHYLENE RECTANGLE BASKETBALL BACKBOARD
	Rev: 12/10/22	
	Drawn: MT	MODEL NO.
	Sheet: 2 of 3	<b>LA-24T</b>

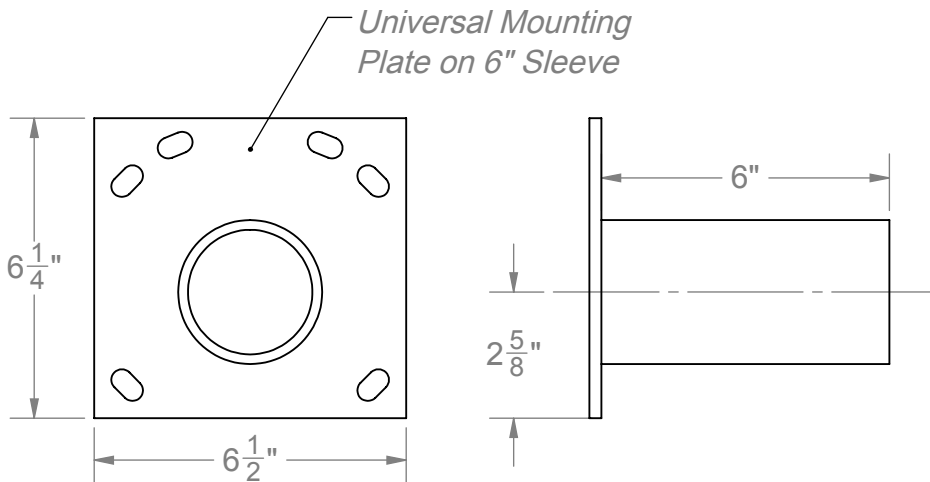
# **BASKETBALL BACKBOARD**

**MODEL #24T** HEAVY DUTY 1" SOLID WHITE POLYETHYLENE RECTANGLE (90lbs)  
WITH SOLID POLY TARGET

*Diagonal Brace Installation: Diagonal brace installation varies depending on which upright post is ordered. Plumb backboard and goal ring true and level (shim if necessary). Tighten all hardware securely. Install the net. If the goal ring is equipped with a chain net, make sure all S-hooks are fully closed.*



**NOTE: Sleeves supplied with Gooseneck Post ONLY**



Post Size	Sleeve Size
3.5"	3"
4.5"	4"
5.563"	5"
6.625"	6"



Date: 4/8/15  
Rev: 12/10/22  
Drawn: MT  
Sheet: 3 of 3

**SPECIFICATION / INSTALLATION INSTRUCTIONS**  
POLYETHYLENE RECTANGLE  
BASKETBALL BACKBOARD

MODEL NO.

**LA-24T**