

ADJUSTABLE BASKETBALL SYSTEM

MODEL #1590 - 6" SQUARE ADJUSTABLE BASKETBALL SYSTEM



GENERAL:

An extra heavy-duty, adjustable basketball system complete with acrylic backboard and breakaway rim.

Suitable for residential and institutional use in heavy play environments. The height adjustment actuator mechanism allows board to adjust from 7-1/2' to regulation 10' with ease for all ages. The height adjustment handle can be locked in place with a long shackle padlock (lock not included).

SPECIFICATIONS:


POST: 6" square powder coated, heavy-gauge steel post providing superior strength and durability.

BACKBOARD: 42" X 72" regulation-size backboard is comprised of 3/8" thick clear acrylic welded to a heavy steel uniframe for extra support and safer play.

RIM: Heavy-duty breakaway goal with nylon net is institutional quality for any level of competitive play.

INSTALLATION: Heavy duty J-Bolt anchoring system allows for no-hassle installation and portability of unit.

PAD: Black wrap-around pole pad and backboard pad included.

	Date: 01-19-12	SPECIFICATION/INSTALLATION INSTRUCTIONS
	Rev:	
	Drawn: AMC	ADJUSTABLE BASKETBALL SYSTEM
	Sheet: 1 of 12	MODEL NO. MODEL NO. 1590


Safe Play/Offset Area - for Rim Height

Rim Height @ 7'6" is 53" Safe Play/Offset Area

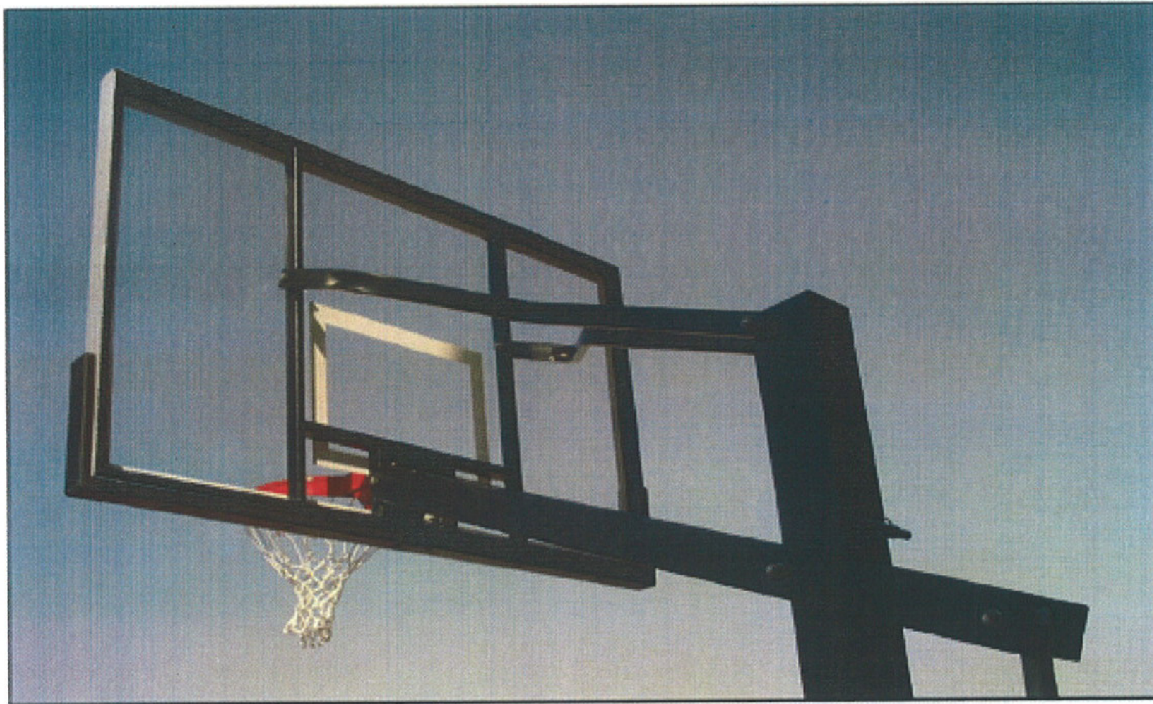
Rim Height @ 8'6" is 51" Safe Play/Offset Area

Rim Height @ 9'6" is 49" Safe Play/Offset Area

Rim Height @ 10' is 41" Safe Play/Offset Area

	Date: 05-20-19	SPECIFICATION/INSTALLATION INSTRUCTIONS
	Rev:	ADJUSTABLE BASKETBALL SYSTEM
	Drawn: only this page RDR	MODEL NO. MODEL NO. 1590
	Sheet: 2 of 12	

ADJUSTABLE OUTDOOR BASKETBALL SYSTEM ASSEMBLY INSTRUCTIONS AND OWNER'S MANUAL



⚠ WARNING ⚠

FAILURE TO COMPLY WITH ANY OF THE WARNINGS IN THESE INSTRUCTIONS MAY RESULT IN SERIOUS PERSONAL INJURY OR DEATH.

FAILURE TO COMPLY MAY ALSO RESULT IN PROPERTY DAMAGE. PLEASE HEED ALL WARNINGS AND CAUTIONS TO ENSURE YOUR SAFETY.

DO NOT ATTEMPT TO ASSEMBLE THIS SYSTEM WITHOUT CAREFULLY READING AND FOLLOWING ALL INSTRUCTIONS. BEGIN BY IDENTIFYING AND TAKING INVENTORY OF ALL PARTS USING THE PARTS LIST PROVIDED.

REQUIRED TOOLS AND MATERIALS



- 3 PEOPLE



- CARPENTER'S LEVEL



- 15' TAPE MEASURE



- SHOVEL



- 8 FT. STEPLADDERS (2)



- CONCRETE



- WRENCHES
(SIZES 3/8", 3/4", 15/16" AND 17MM)



- ADJUSTABLE WRENCH (2)



- HAMMER

KEEP THIS INSTRUCTION MANUAL IN CASE YOU HAVE TO CONTACT THE MANUFACTURER FOR REPLACEMENT PARTS.



Date: 01-19-12

Rev:

Drawn: AMC

Sheet: 3 of 12

SPECIFICATION/INSTALLATION INSTRUCTIONS

ADJUSTABLE BASKETBALL SYSTEM

MODEL NO.

MODEL NO. 1590

CUSTOMER ADVISORY AND WARNING

Participation in Physical education, body conditioning, athletics, recreational and related activities involve varying degrees of accidental injury risks, up to and including those with life threatening potential. Under no circumstances should equipment used for these aforementioned activities be altered, tampered with, or used when damaged. Such equipment should NEVER be used without direct adult supervision and only after examination for damage, wear, proper function and general stability, nor should it be employed for any activity other than that for which it was specifically intended. Such equipment should NEVER be setup, or moved by children. Participants should always know or be made specifically aware of the risks involved in the activity they are participating in as well as their own physical limitations and that of the equipment being used.

⚠ WARNING ⚠

CLIMBING ON GOAL OR HANGING FROM NET
can cause serious injury or death

⚠ WARNING ⚠

This equipment should be installed by a qualified contractor. The manufacturer assumes no liability for damage to existing structures which may result from improper installation.

****A MINIMUM OF THREE ADULTS IS REQUIRED TO INSTALL THIS UNIT****


STOP! **BEFORE YOU START** **STOP!**

IDENTIFY AND INVENTORY ALL PARTS USING THE PARTS LIST AS A CHECKLIST. BE SURE TO KEEP THE HARDWARE BAGS AND THEIR CONTENTS SEPARATE. IF ANY PARTS ARE MISSING CALL OUR CUSTOMER SERVICE DEPARTMENT AT 1-800-527-7510.

⚠ SAFETY INSTRUCTIONS ⚠


FAILURE TO FOLLOW THESE SAFETY INSTRUCTIONS MAY RESULT IN SERIOUS INJURY, DEATH OR PROPERTY DAMAGE AND WILL VOID THE WARRANTY. The owner must ensure that all players know and follow these rules to safely operate the system. Proper and complete assembly, use and supervision is essential for proper operation and to reduce the risk of accident or injury. A high probability of serious injury exists if this system is not installed, maintained, or operated properly.

- If using a ladder during assembly, use extreme caution. Follow all warnings and cautions on the ladder carefully. 3 people are required to lift the unit into place. Before digging, contact the appropriate agency to locate underground power cables, gas and water lines. Do not install the system within 20 feet of overhead power lines. Climate, corrosion, or misuse could result in system failure. If technical assistance is required, contact the manufacturer. Minimum operational height is 7'6" to the Rim. Most injuries are caused by misuse and/or failure to follow instructions. Use caution when using the system.

 <p>Steelcraft ELEMENTS FOR LIFE OUTSIDE®</p>	Date: 01-19-12	SPECIFICATION/INSTALLATION INSTRUCTIONS
	Rev:	
	Drawn: AMC	MODEL NO.
	Sheet: 4 of 12	MODEL NO. 1590

PARTS LIST

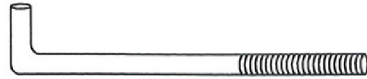
ITEM	DESCRIPTION	QTY
A	POLE	1 EA
B	UPPER SUPPORT ARMS	2 EA
C	LOWER SUPPORT ARMS	1 EA
D	JACK BRACKETS	2 EA
E	MOUNTING PLATE	1 EA
F	CRANK JACK	1 EA
G	BACKBOARD	1 EA
H	RIM	1 EA
I	RIM COVER	1 EA
J	10" ROD	1 EA
K	LOCK PIN	1 EA
L	5/8" x 16" J-BOLT	4 EA
M	5/8" HEX NUT	14 EA
N	5/8" FLAT WASHER	10 EA
O	5/8" LOCK WASHER	2 EA
R	5/8" x 7.5" HEX BOLT	2 EA
S	5/8" x 5" HEX BOLT	1 EA
T	7/16" x 3.25" HEX BOLT	2 EA
U	SCREW	2 EA
V	18mm x 12" HEX BOLT	2 EA
W	10mm x 75mm HEX BOLT	4 EA
X	18mm x 9.5" HEX BOLT	1 EA
Y	18mm FLAT WASHER	6 EA
Z	18mm LOCKING NUTS	3 EA
AA	7/16" FLAT WASHER	8 EA
BB	7/16" NYLON WASHER	4 EA
CC	5/8" LOCKNUT	1 EA
DD	7/16" HEX NUT	4 EA
EE	10mm FLAT WASHER	8 EA
FF	10mm HEX NUT	4 EA
GG	POLE PAD	1 EA
HH	7/16" x 2.5" HEX BOLT	2 EA
II	36" REBAR	4 EA
JJ	BASE PLATE PAD	1 EA
KK	10mm LOCK WASHER	4 EA

	Date: 01-19-12	SPECIFICATION/INSTALLATION INSTRUCTIONS	
	Rev:		ADJUSTABLE BASKETBALL SYSTEM
	Drawn: AMC	MODEL NO.	MODEL NO. 1590
	Sheet: 5 of 12		

REQUIRED FOR THIS PAGE:



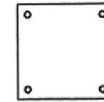
15/16" WRENCH



Ⓛ 4 PCS



Ⓜ 8 PCS



ⓔ 1 PCS



SHOVEL

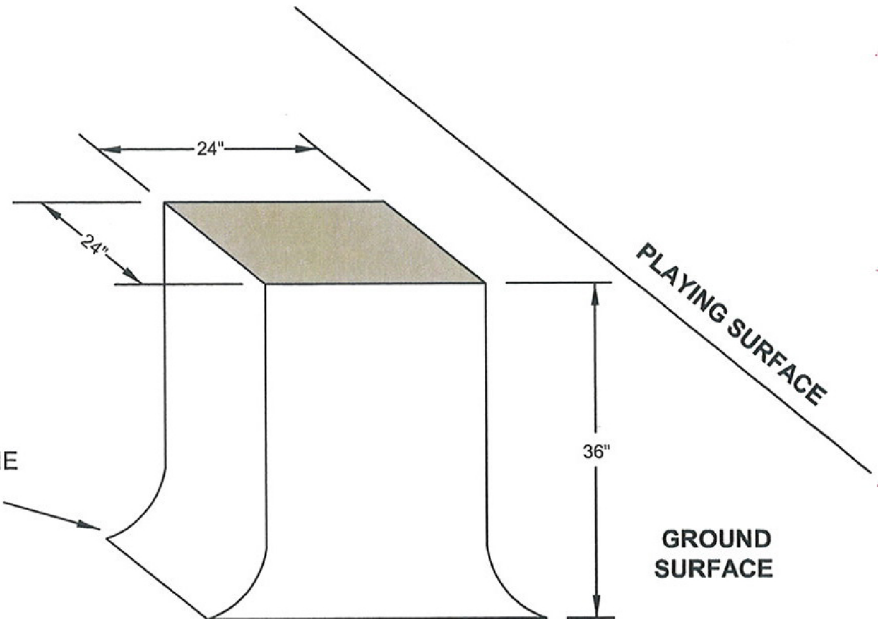
— ONLY ONE ADULT IS REQUIRED FOR THE FOLLOWING STEPS —

STEP 1

Ensure ground is level with playing surface, then dig hole for concrete footing.

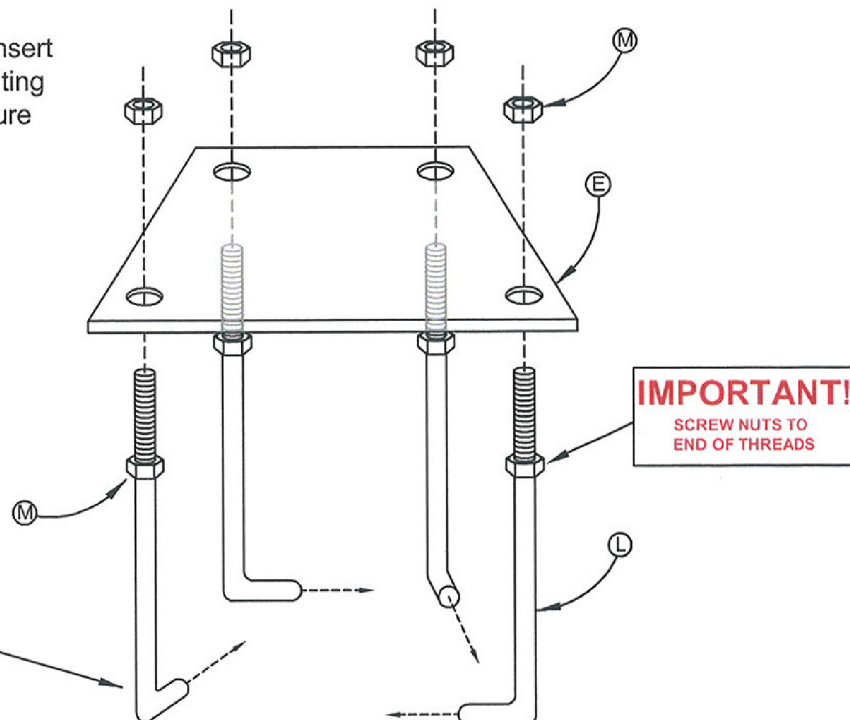


BELL OUT THE BOTTOM OF THE HOLE.



STEP 2

Install nut (M) to J-bolt (L) as shown and then insert threaded ends of J-bolts through holes in mounting plate (E) and secure as shown. Repeat procedure for the other three J-bolts.



NOTE: Make sure J-bolts are oriented in pattern as shown.



Date: 01-19-12
 Rev:
 Drawn: AMC
 Sheet: 6 of 12

SPECIFICATION/INSTALLATION INSTRUCTIONS

ADJUSTABLE BASKETBALL SYSTEM

MODEL NO.

MODEL NO. 1590

REQUIRED FOR THIS PAGE:



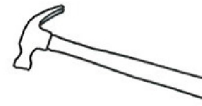
SHOVEL



REBAR (4 PCS)



CONCRETE



HAMMER



CARPENTER'S LEVEL

ONLY ONE ADULT IS REQUIRED FOR THE FOLLOWING STEPS

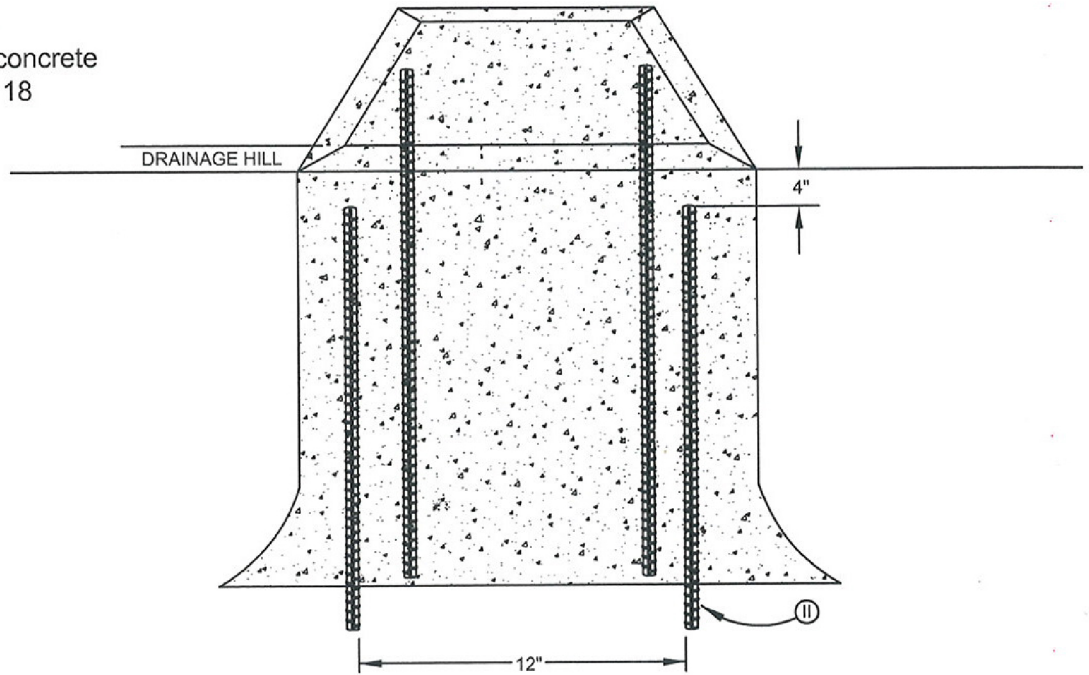
STEP 3

Mix the concrete according to the instructions on the bag. Pour the concrete into the hole, up to approximately 18 inches from the top edge.

STEP 4

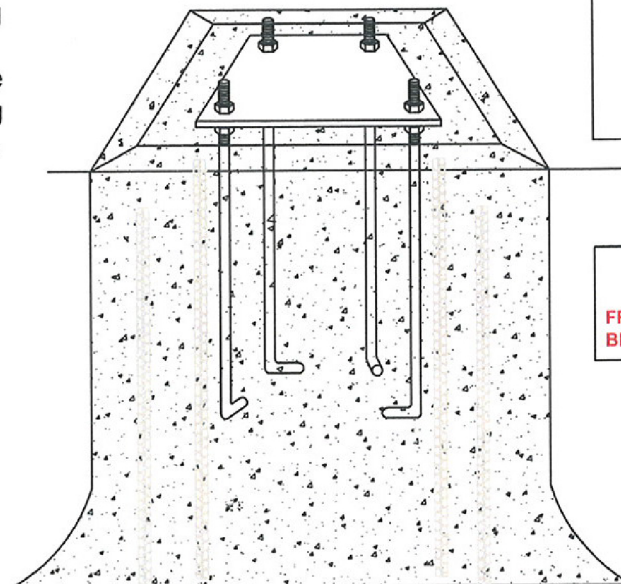
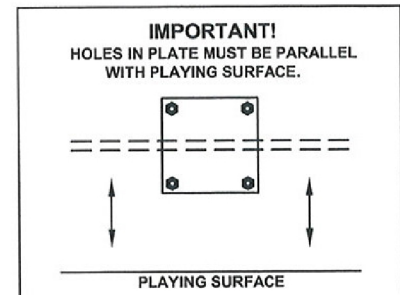
Insert the four pieces of 36" rebar into the hole, hammer each piece 4" below ground surface. The four pieces should be arranged in a square approximately 12 inches wide. Finish filling the hole to the top with concrete. Tamp down concrete to release air pockets and build up drainage hill.

PROCEED IMMEDIATELY TO STEP 5.



STEP 5

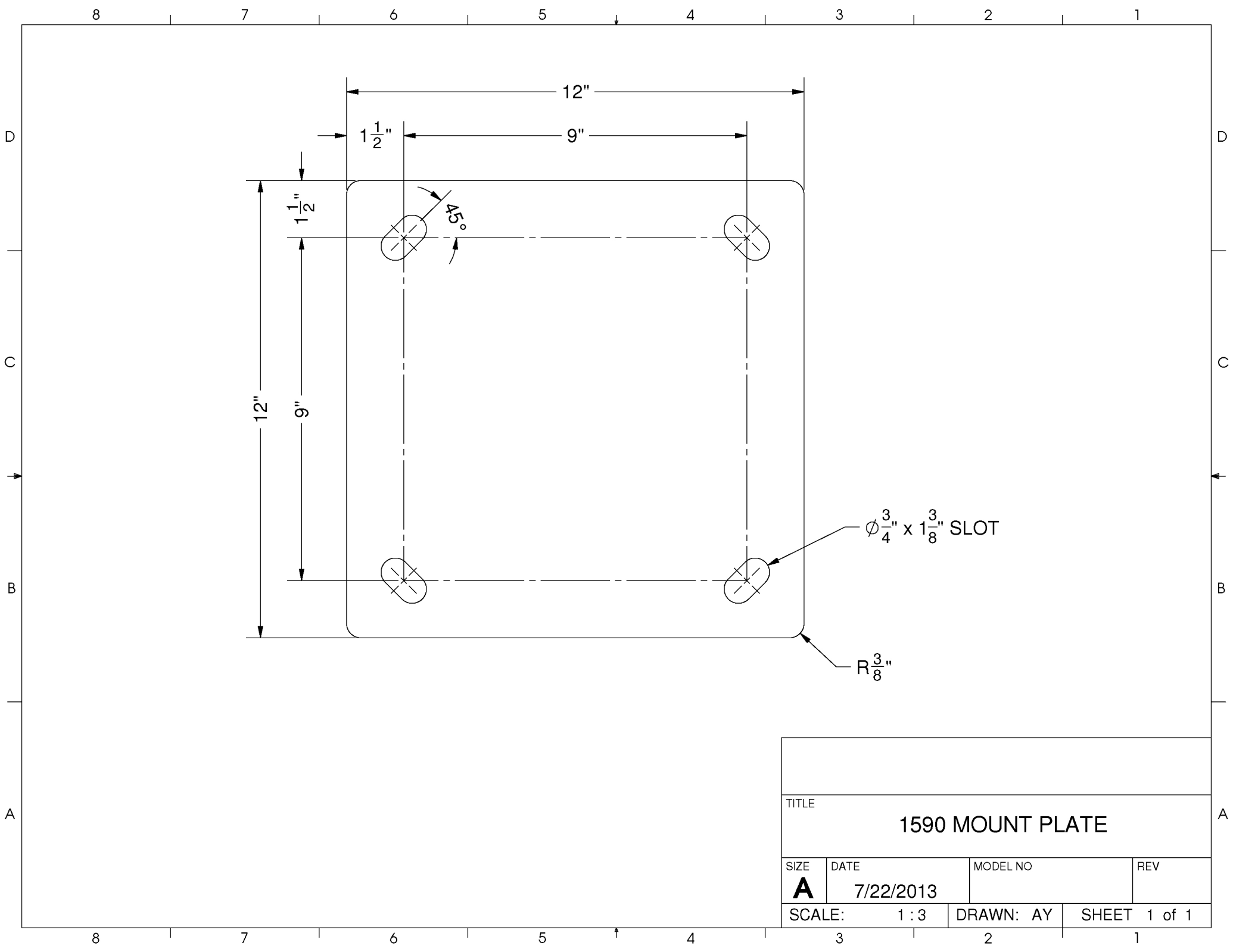
Insert J-bolts (L) from mounting plate (E) into cement as shown. Move assembly around to release any air pockets in cement, then rest mounting plate on cement drainage hill. Apply some pressure to level mounting plate on top of drainage hill. Level mounting plate and square with playing surface. Clean off any excess cement on mounting plate at this time.



WARNING

DO NOT PROCEED TO STEP 6 UNTIL CONCRETE HAS CURED FOR A MINIMUM OF 72 HOURS. ALLOW ADDITIONAL TIME FOR COLD, WET OR HUMID WEATHER.

	Date: 01-19-12	SPECIFICATION/INSTALLATION INSTRUCTIONS ADJUSTABLE BASKETBALL SYSTEM
	Rev:	
	Drawn: AMC	MODEL NO.
	Sheet: 7 of 12	MODEL NO. 1590



TITLE			
1590 MOUNT PLATE			
SIZE	DATE	MODEL NO	REV
A	7/22/2013		
SCALE:	1 : 3	DRAWN: AY	SHEET 1 of 1

REQUIRED FOR THIS PAGE:



15/16" WRENCH



Ⓡ 2 PCS



Ⓝ 8 PCS



Ⓜ 6 PCS



Ⓞ 2 PCS

⚠ WARNING ⚠

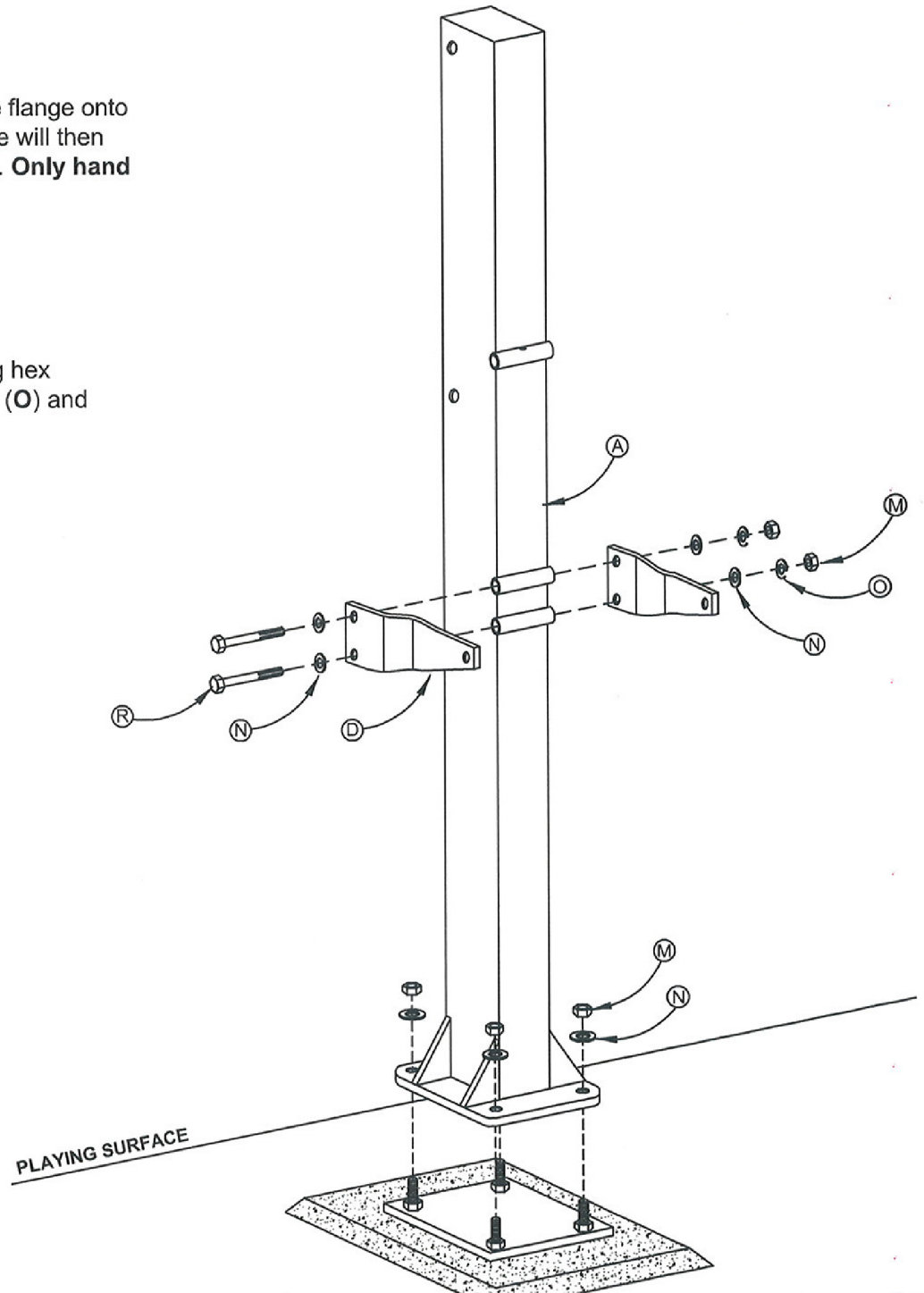
— A MINIMUM OF THREE ADULTS IS REQUIRED FOR THE FOLLOWING STEPS —

STEP 6

Upright pole (A). Assemble lower pole flange onto protruding J-bolts as shown. The flange will then rest on the nuts as shown from step 2. **Only hand tighten at this time.**

STEP 7

Secure jack brackets (D) to pole using hex bolts (R), flat washer (N), lock washer (O) and hex nuts (M) as shown.



Date: 01-19-12
Rev:
Drawn: AMC
Sheet: 8 of 12

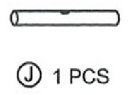
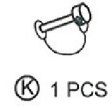
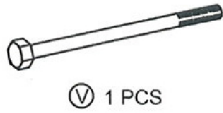
SPECIFICATION/INSTALLATION INSTRUCTIONS

ADJUSTABLE BASKETBALL SYSTEM

MODEL NO.

MODEL NO. 1590

REQUIRED FOR THIS PAGE:



▲ WARNING ▲

— A MINIMUM OF THREE ADULTS IS REQUIRED FOR THE FOLLOWING STEPS —

STEP 8

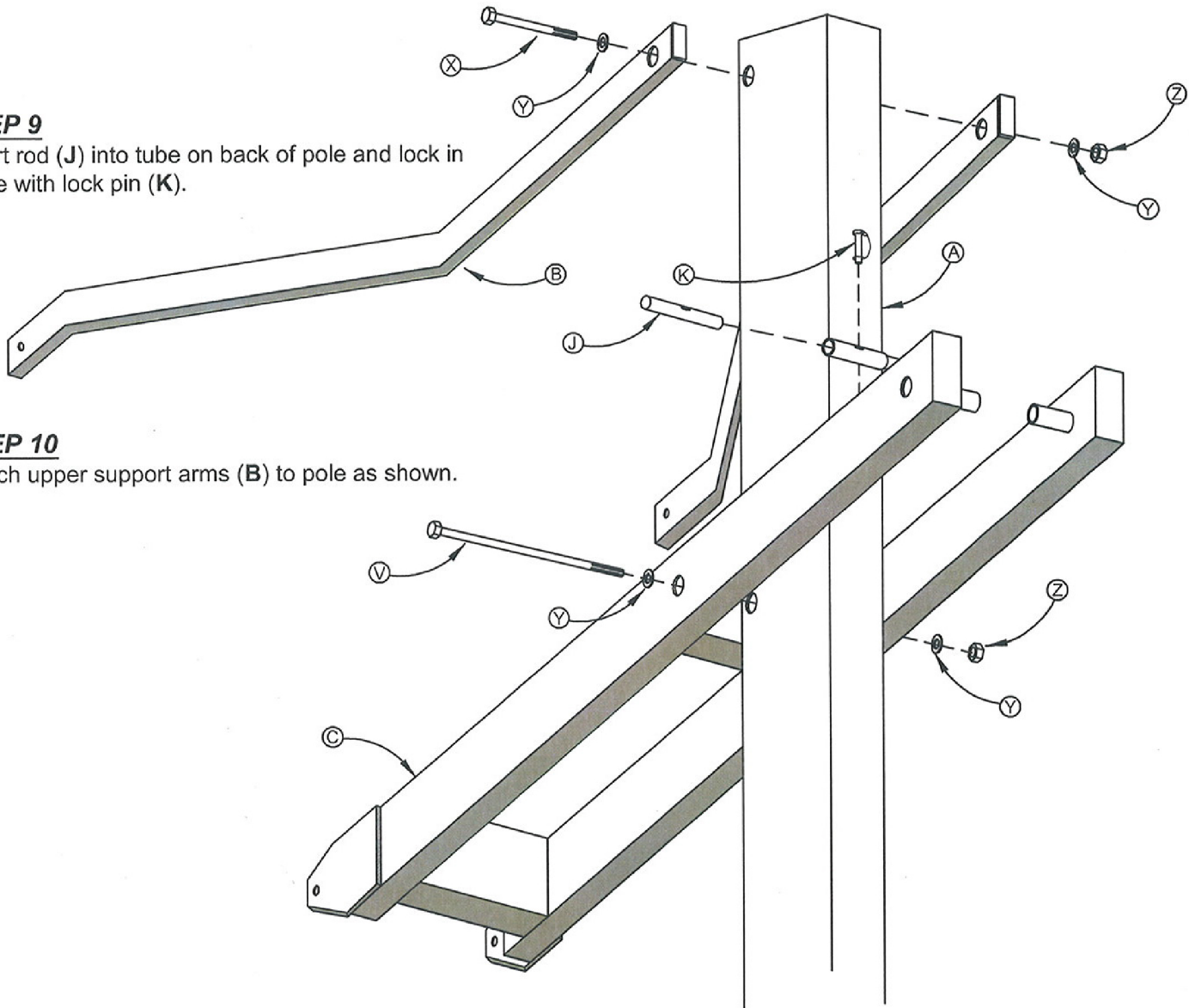
Attach lower support arms (C) to pole as shown.

STEP 9

Insert rod (J) into tube on back of pole and lock in place with lock pin (K).

STEP 10

Attach upper support arms (B) to pole as shown.



Date: 01-19-12
 Rev:
 Drawn: AMC
 Sheet: 9 of 12

SPECIFICATION/INSTALLATION INSTRUCTIONS

ADJUSTABLE BASKETBALL SYSTEM

MODEL NO.

MODEL NO. 1590

REQUIRED FOR THIS PAGE:



15/16" WRENCH



ADJUSTABLE WRENCH (2 PCS)



3/4" WRENCH



Y 2 PCS



BB 4 PCS



N 2 PCS



AA 8 PCS



CC 1 PCS



DD 4 PCS



Z 1 PCS



V 1 PCS



S 1 PCS



T 2 PCS



HH 2 PCS

▲ WARNING ▲

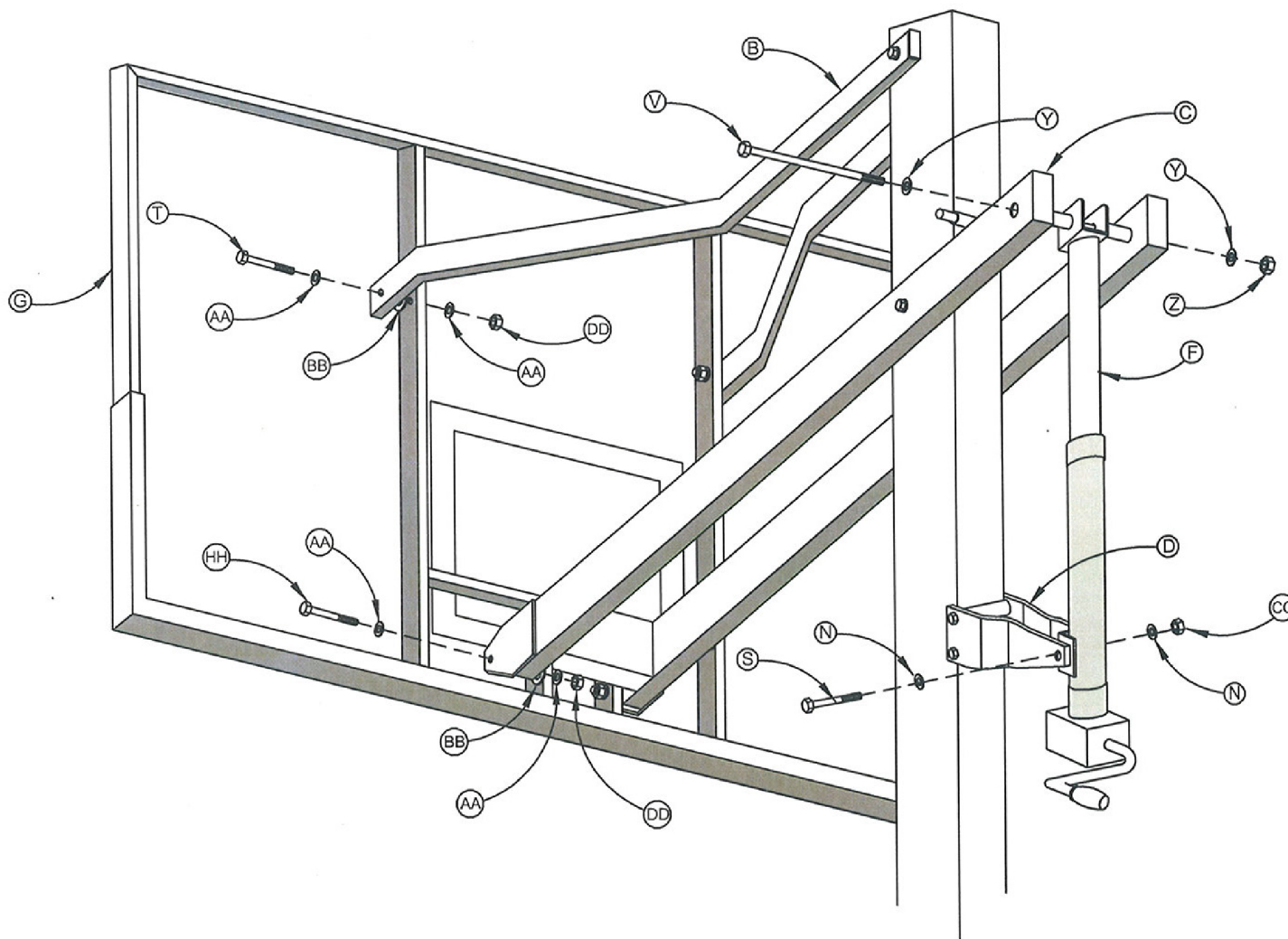
— A MINIMUM OF THREE ADULTS IS REQUIRED FOR THE FOLLOWING STEPS —

STEP 11

Attach upper and lower arms (B & C) to backboard (G).

STEP 12

Install crank jack (F) U-joint to lower support arm (C) and jack brackets (D) as shown.



Date: 01-19-12
 Rev:
 Drawn: AMC
 Sheet: 10 of 12

SPECIFICATION/INSTALLATION INSTRUCTIONS
 ADJUSTABLE BASKETBALL SYSTEM
 MODEL NO.
MODEL NO. 1590

REQUIRED FOR THIS PAGE:



17mm WRENCH



ADJUSTABLE WRENCH



KK 4 PCS



EE 8 PCS



FF 4 PCS



W 4 PCS

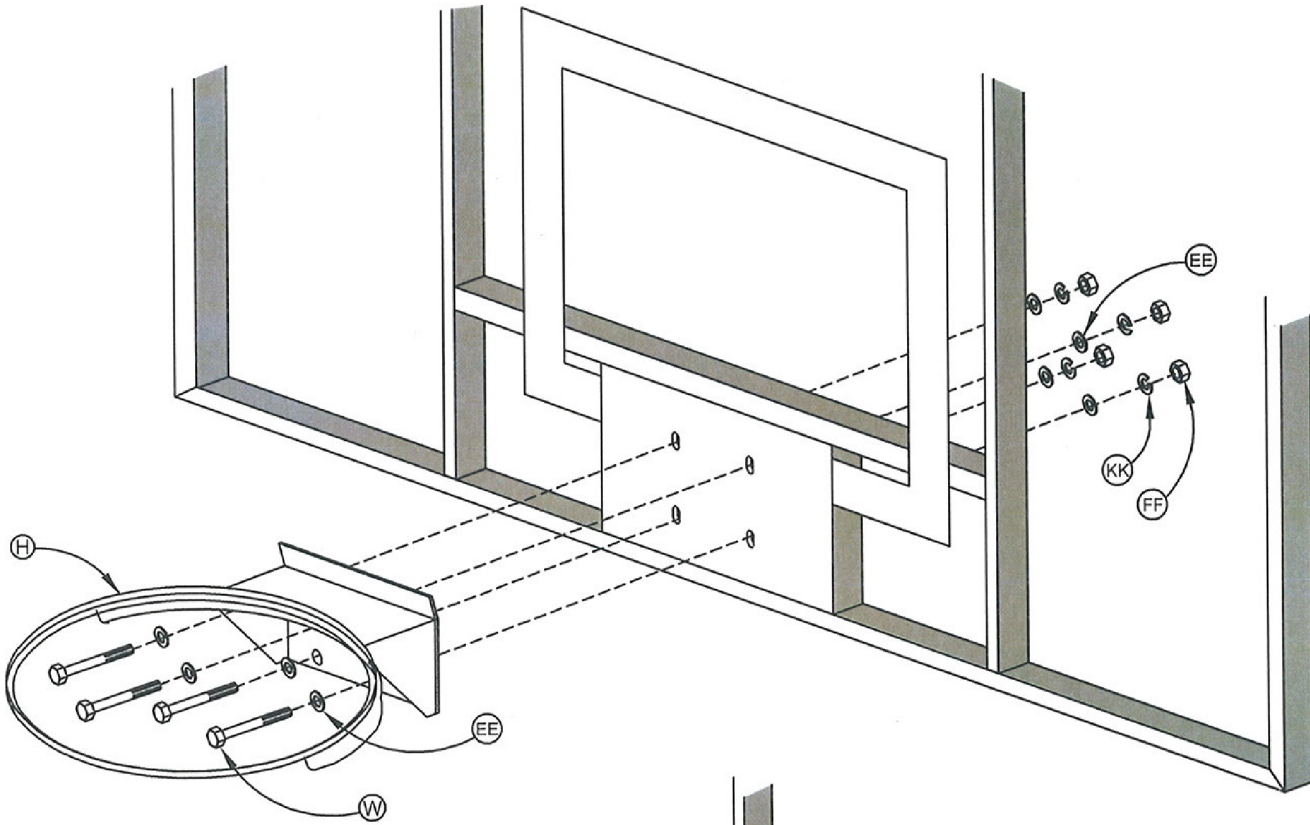


U 2 PCS



3/8\" WRENCH

A MINIMUM OF TWO ADULTS IS REQUIRED FOR THE FOLLOWING STEPS

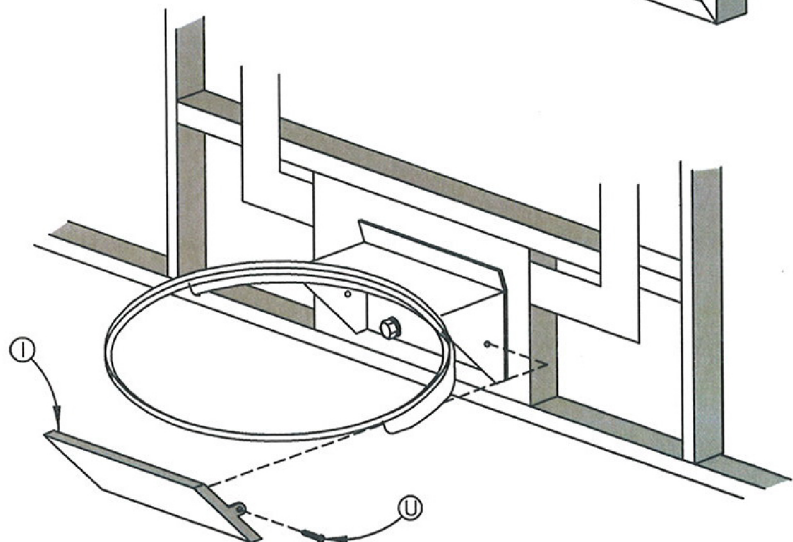


STEP 13

Attach rim (H) as shown.

STEP 14

Attach rim cover (I) as shown.



Date: 01-19-12

Rev:

Drawn: AMC

Sheet: 11 of 12

SPECIFICATION/INSTALLATION INSTRUCTIONS

ADJUSTABLE BASKETBALL SYSTEM

MODEL NO.

MODEL NO. 1590

REQUIRED FOR THIS PAGE:



15/16" WRENCH

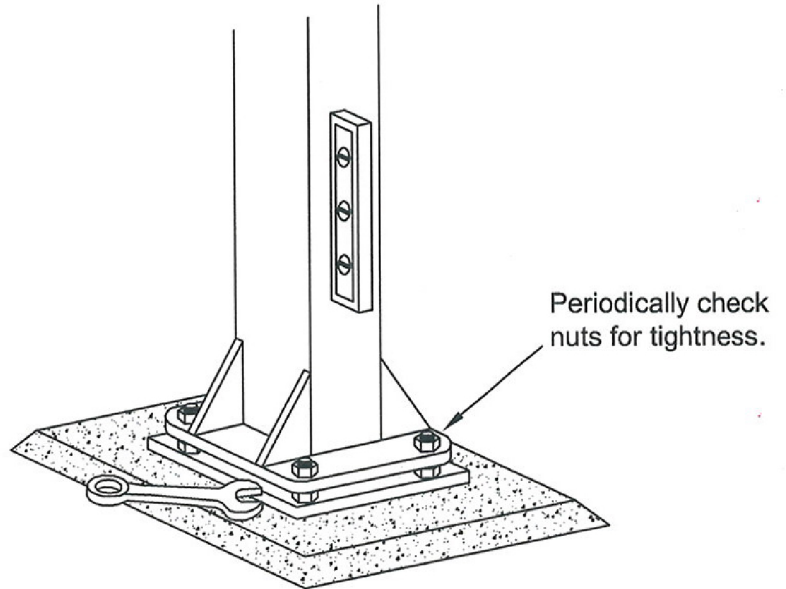


CARPENTER'S LEVEL

— ONLY ONE ADULT IS REQUIRED FOR THE FOLLOWING STEPS —

STEP 15

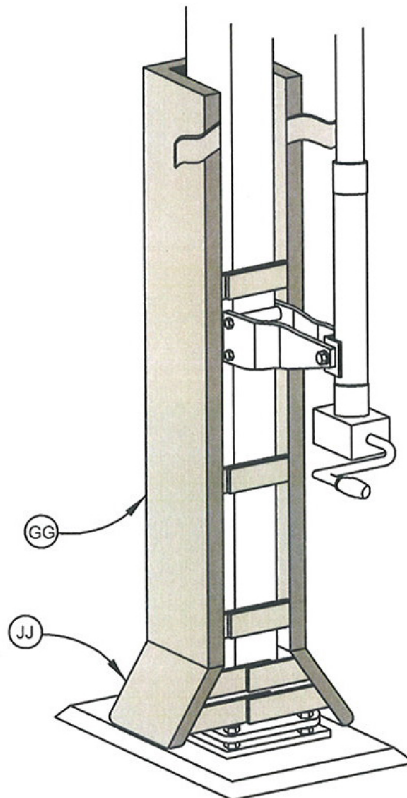
Check leveling at this time. Pole should be level in all directions. After system is leveled, completely tighten nuts above pole flange.



NOTE: IF ADJUSTMENT IS NECESSARY, ADJUST SYSTEM BY ROTATING THE NUTS BETWEEN MOUNTING PLATE AND POLE FLANGE.

STEP 16

Secure pole pad (GG) and base plate pad (JJ) using hook and loop straps.



STEP 17

Rotate crank handle to raise and lower backboard. Crank handle can be locked with pad lock at desired height.



Date: 01-19-12
Rev:
Drawn: AMC
Sheet: 12 of 12

SPECIFICATION/INSTALLATION INSTRUCTIONS

ADJUSTABLE BASKETBALL SYSTEM

MODEL NO.

MODEL NO. 1590